



Gate valve



Globe valve



Check valve



Ball valves

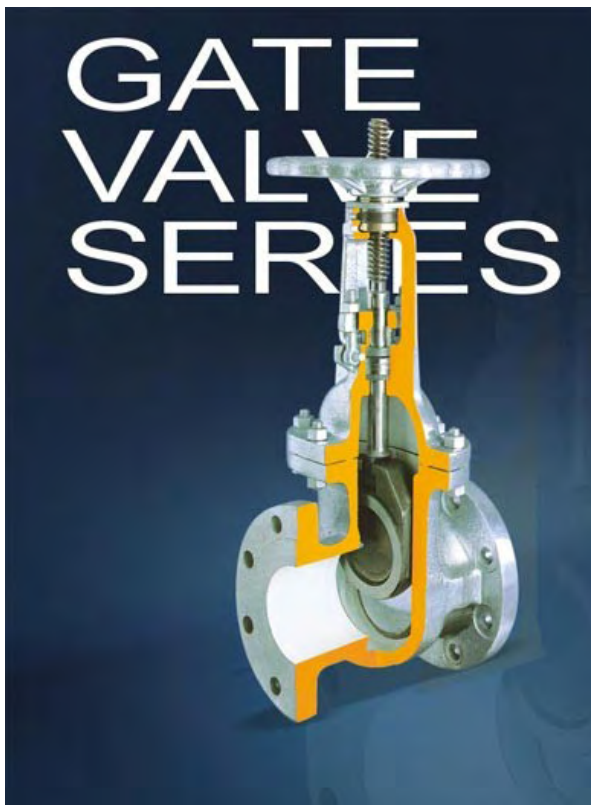
online  
Communication

Contact Us

WENZHOU WINDMILL VALVE CO.,LTD.  
ADD:OuBei,WenZhou,Zhejiang,China  
TEL:86-577-67955569  
FAX:86-577-67955565  
E-Mail:sale@dfcvalve.com

## 1500Lb Gate valve

### 1500Lb Gate valves



**Applicable standards:**

Steel gate valves, API 600 / API 6D  
Steel gate valves, ISO 10434 / ISO 14313  
Steel valves, ASME B16.34  
Face to face, ASME B16.10  
Flanges end, ASME B16.5  
Buttwelding ends, ASME B16.25  
Inspection and test, API 598 / API 6D

**Design description:**

Full port design  
O& Y, outside screw and yoke  
BB, Bolted bonnet  
Flexible wedge, fully guided  
Choice of solid or split wedge  
Renewable seat rings  
Forged T-head stem  
Rising stem and non-rising handwheel  
Flanged or buttwelding ends  
Available with bg operator

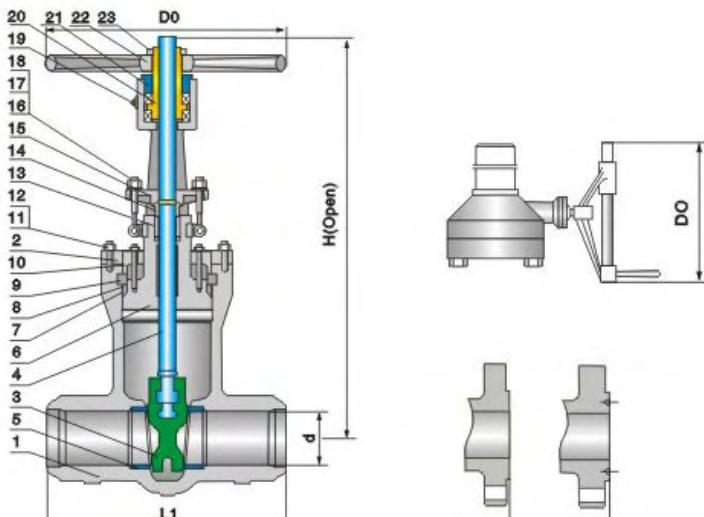
**PRODUCT CATALOG**

- [About us](#)
- [Products](#)
- [Gate valves](#)
- [Globe valve](#)
- [Check valve](#)
- [Ball valves](#)
- [Butterfly valve](#)
- [Plug valves](#)
- [Forged valve](#)
- [Bronze Valve](#)
- [Strainer](#)
- [News](#)

**ABOUT PRODUCTS**

- 2500Lb Gate valve
  - 900Lb cast steel Gate valve
  - 1500Lb cast steel Gate valve
  - Steel Gate valve
- 2500Lb Gate valve
- 900Lb Gate valve »

**NEW PRODUCT**



1500Lb Gate valve Materials of parts

No	Part Name	Carbon Steel	ASTM Material 1 1/4Cr-1/2Mo	18Cr-9Ni-2Mo
1	Body	A216-WCB	A217-WC8	A351-CF8M
2	Yoke	A216-WCB	A217-WC8	A351-CF8M
3	Wedge	A216-WCB+HF	A217-WC8+HF	A351-CF8M+HF
4	Stern	A182-F6a	CR-MO-V	A182-316
5	Seat Ring	A105+HF	A182-F11+HF	A240-316+HF
6	Bonnet	A105	A182-F11	A240-316
7	Bonnet Gasket <sup>1)</sup>		304+Graphite	
8	Adapter Ring	Carbon Steel	A276-420	A276-316
9	Retainer	Carbon Steel	A276-420	A276-316
10	Yake Cap	Carbon Steel	Alloy Steel	Stainless Steel
11	Bonnet Stud	A193-B7	A193-B16	A193-B8M
12	Bonnet Stud Nut	A194-2H	A194-7	A194-8M
13	Packing		Graphite	
14	Gland	A276-420	A276-304	A276-316L
15	Gland Flange	A216-WCB	A217-WC6	A351-CF8M
16	Eyebolt Pin	Carbon Steel	A276-420	A276-316
17	Eyebolt	Carbon Steel	A193-B7	A193-B8
18	Eyebolt Nut	Carbon Steel	A194-2H	A194-8
19	Grease Fitting		Brass+Steel	
20	Yokesleeve		Aluminum-Bronze <sup>2)</sup>	
21	Yokesleeve Jam Nut		Carbon Steel	
22	Handwheel		Malleable Iron	
23	Handwheel Nut		Carbon Steel	

Note: 1).Ductile Ni-Resist optional

2).Wedge and seat ring may either be solid facing material or a base material equal to or better than the body/bonnet material with facing as shown.

1500Lb Gate valve Dimensions data

NPS DN	2 50	2 1/2 65	3 80	4 100	6 150	8 200	10 250	12 300	14 350	16 400	18 450	20 500	24 600	26 650	28 700	32 800	34 850	36 900	In mm
<b>ANSI Class 1500Lb</b>																			
L1 (BW)	8.50 216	10.00 254	12.00 305	16.00 408	22.00 559	28.00 711	34.00 864	39.00 991	42.00 1067	47.00 1194	52.99 1346	57.99 1473	76.49 1943	80.00 2033	86.96 2209	90.00 2286	95.00 2413	100.98 2565	in mm
L (RF)	14.50 368	16.50 419	18.50 470	21.50 546	27.75 705	32.75 832	39.00 991	44.50 1130	49.50 1257	54.50 1384	60.51 1537	65.51 1664	76.49 1943	80.00 2033	86.96 2209	90.00 2286	95.00 2413	100.98 2565	in mm
L2 (RTJ)	14.62 371	16.62 422	18.62 473	21.62 549	28.00 711	33.12 841	39.38 1000	45.12 1146	50.25 1276	55.38 1407	61.37 1559	66.37 1686	77.63 1972	-	-	-	-	-	in mm
H (OPEN)	17.62 448	17.62 448	21.62 550	25.25 640	33.5 850	38.62 980	46.5 1180	62.25 1580	70.5 1790	78 1980	86.96 2209	93.97 2387	110.00 2794	121.96 3098	133.97 3403	147.48 3746	120.00 3048	127.99 3251	in mm
D0	14 350	14 350	14 350	18 450	24 600	28 700	34 850	34 850	34 850	34 850	33.85 860	33.85 860	33.85 860	40.15 1020	40.15 1020	40.15 1020	-	-	in mm
WT (kg)	39 69	45 80	55 95	77 123	175 283	323 481	540 795	795 1148	1115 1626	1556 2195	4000 5225	4800 6310	7500 9050	8900 9934	10000 11174	13500 14852	18000 17443	18900 21246	BW RF/RTJ

Keywords: gate valve

Class:Gate valves |



About US | Sitemap | Website Link | Job WINDMILL | Downloads | Guestbook | Contact US | E-Mail | Admin

Copyright 2009 WENZHOUE WINDMILL VALVE CO.,LTD. Some Rights Reserved.

ADD:Oubei,Wenzhou,Zhejiang,China TEL:0086-577-67955569 FAX:0086-577-67955565 E-mailsale@dfcvalve.com