



Gate valve



Globe valve



Check valve



Ball valves

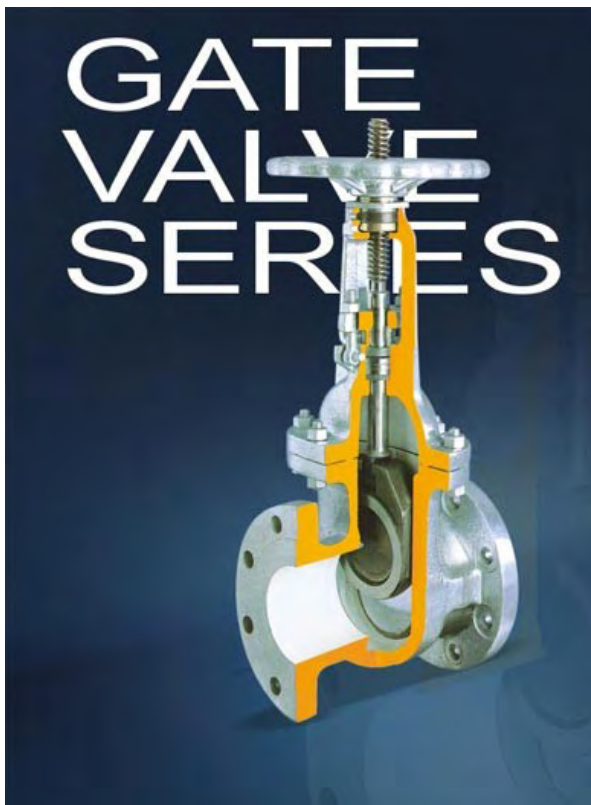
online
Communication

Contact Us

WENZHOU WINDMILL VALVE CO.,LTD.
ADD:OuBei,WenZhou,Zhejiang,China
TEL:86-577-67955569
FAX:86-577-67955565
E-Mail:sale@dfcvalve.com

2500Lb Gate valve

2500Lb Gate valves



Applicable standards:

Steel gate valves, API 600 / API 6D
Steel gate valves, ISO 10434 / ISO 14313
Steel valves, ASME B16.34
Face to face, ASME B16.10
Flanges end, ASME B16.5
Buttwelding ends, ASME B16.25
Inspection and test, API 598 / API 6D

Design description:

Full port design
O& Y, outside screw and yoke
BB, Bolted bonnet
Flexible wedge, fully guided
Choice of solid or split wedge
Renewable seat rings
Forged T-head stem
Rising stem and non-rising handwheel
Flanged or buttwelding ends
Available with bg operator

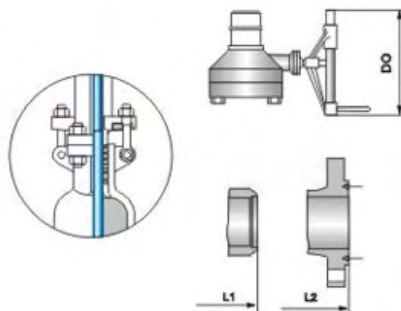
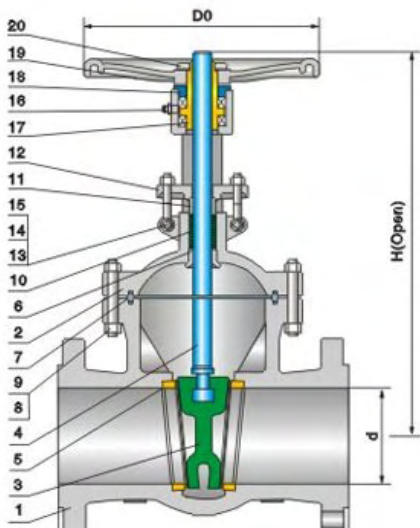
PRODUCT CATALOG

- [About us](#)
- [Products](#)
- [Gate valves](#)
- [Globe valve](#)
- [Check valve](#)
- [Ball valves](#)
- [Butterfly valve](#)
- [Plug valves](#)
- [Forged valve](#)
- [Bronze Valve](#)
- [Strainer](#)
- [News](#)

ABOUT PRODUCTS

- [900Lb cast steel Gate valve](#)
- [1500Lb cast steel Gate valve](#)
- [Steel Gate valve](#)
- [Valve World Asia 2009 Conference & Expo in Suzhou](#)
- [1500Lb Gate valve »](#)

NEW PRODUCT



2500Lb Gate valve Materials of parts

No	Part Name	ASTM Material		
		Carbon Steel	1 ¹ / ₄ Cr- ¹ / ₂ Mo	Carbon Steel
1	Body	A216-WCB	A217-WC6	A352-LCB
2	Bonnet	A216-WCB	A217-WC6	A352-LCB
3	Wedge	A216-WCB+CR13	A217-WC6+HF	A352-LCB+CR13
4	Stem	A182-F6a	CR-MO-V	A182-F6a
5	Seat Ring	A105+CR13	A182-F11+HF	A350-LF2+CR13
6	Stem Back Seat	A276-420	A276-304	A276-420
7	Bonnet Gasket	Steel Ring	304SS Ring	Steel Ring
8	Bonnet Stud	A193-B7	A193-B16	A320-L7
9	Bonnet Stud Nut	A194-2H	A194-7	A194-4
10	Packing		Graphite	
11	Gland	A276-420	A276-304	A276-420
12	Gland Flange	A216-WCB	A217-WC6	A352-LCB
13	Eyebolt Pin	Carbon Steel	A276-420	Carbon Steel
14	Eyebolt	Carbon Steel	A193-B7	Carbon Steel
15	Eyebolt Nut	Carbon Steel	A194-2H	Carbon Steel
16	Grease Fitting		Brass+Steel	
17	Yokesleave		Aluminum-Bronze ¹⁾	
18	Yokesleeve Jam Nut		Carbon Steel	
19	Handwheel		Malleable Iron	
20	Handwheel Nut		Carbon Steel	

Note: 1).2500Lb Gate valve Ductile Ni-Resist optional

2).Wedge and seat ring may either be solid facing material or a base material equal to or better than the body/bonnet material with facing as shown.

2500Lb Gate valve Dimensions data

NPS DN	2 50	2½ 65	3 80	4 100	6 150	8 200	10 250	12 300	in mm
ANSI Class 2500Lb									
LL1 (RF/BW)	17.75 451	20.00 508	22.75 578	26.50 673	36.00 914	40.25 1022	50.00 1270	56.00 1422	in mm
L2 (RTJ)	17.88 454	20.50 514	23.00 584	26.88 683	36.50 927	40.88 1038	50.88 1292	56.88 1445	in mm
H (OPEN)	24.88 631	29.00 736	35.00 890	41.50 1055	57.00 1450	63.38 1610	81.75 2075	89.75 2280	in mm
(d)	38	47	57	72	111	146	184	218	mm
D0	12 300	18 450	20 500	20 500	24 600	24 600	24 600	24 600	in mm
WT (kg)	155 124	210 160	310 245	580 460	1600 1310	2450 2010	4570 3800	7150 6000	RFRTJ BW

Keywords: gate valve

Class:Gate valves |



[About US](#) | [Sitemap](#) | [Website Link](#) | [Job WINDMILL](#) | [Downloads](#) | [Guestbook](#) | [Contact US](#) | [E-Mail](#) | [Admin](#)

Copyright 2009 WENZHOU WINDMILL VALVE CO.,LTD. Some Rights Reserved.

ADD:Oubei,Wenzhou,Zhejiang,China TEL:0086-577-67955569 FAX:0086-577-67955565 E-mailsale@dfcvalve.com