



Gate valve



Globe valve



Check valve



Ball valves

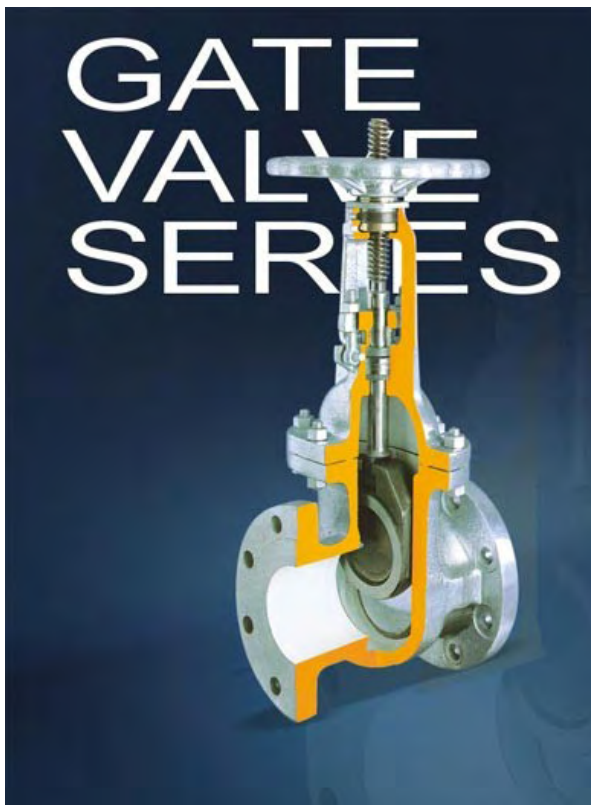
online
Communication

Contact Us

WENZHOU WINDMILL VALVE CO.,LTD.
ADD:OuBei,WenZhou,Zhejiang,China
TEL:86-577-67955569
FAX:86-577-67955565
E-Mail:sale@dfcvalve.com

300Lb Gate valve

300Lb Gate valves



Applicable standards:

- Steel gate valve, API 600 / API 6D
- Steel gate valves, ISO 10434 / ISO 14313
- Steel valves, ASME B16.34
- Face to face, ASME B16.10
- Flanges end, ASME B16.5
- Buttwelding ends, ASME B16.25
- Inspection and test, API 598 / API 6D

Design description:

- Full port design
- OI & Y, outside screw and yoke
- BB, Bolted bonnet
- Flexible wedge, fully guided
- Choice of solid or split wedge
- Renewable seat rings
- Forged T-head stem
- Rising stem and non-rising handwheel
- Flanged or buttwelding ends
- Available with bg operator

PRODUCT CATALOG

- About us
- Products
- Gate valves
- Globe valve
- Check valve
- Ball valves
- Butterfly valve
- Plug valves
- Forged valve
- Bronze Valve
- Strainer
- News

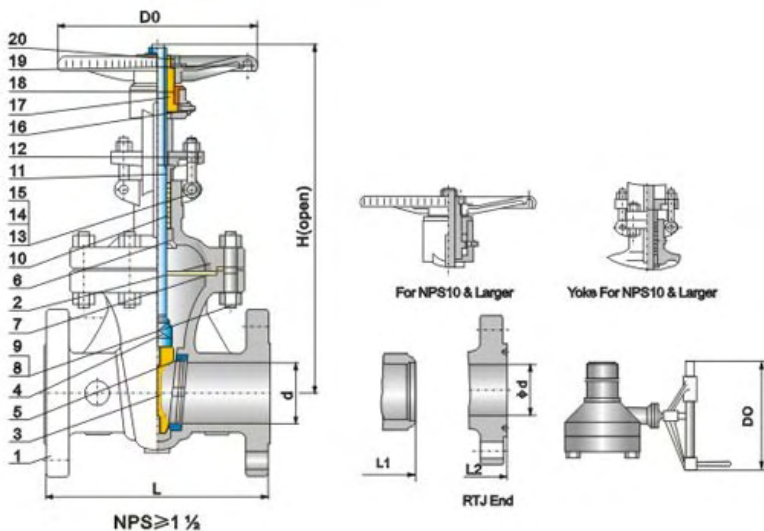
ABOUT PRODUCTS

- 600Lb Gate valve
- 900Lb Gate valve
- 1500Lb Gate valve
- 2500Lb Gate valve
- 900Lb cast steel Gate valve
- 1500Lb cast steel Gate valve
- Steel Gate valve

« 600Lb Gate valve

150Lb Gate valve »

NEW PRODUCT



300Lb Gate valve Materials of parts

No	Part Name	ASTM Material		
		Carbon Steel	1 1/4Cr-1/2Mo	Carbon Steel
1	Body	A216-WCB	A217-WC6	A352-LCB
2	Bonnet	A216-WCB	A217-WC6	A352-LCB
3	Wedge	A216-WCB+CR13	A217-WC6+HF	A352-LCB+CR13
4	Stem	A182-F6a	CR-MO-V	A182-F6a
5	Seat Ring	A105+CR13	A182-F11+HF	A350-LF2+CR13
6	Stem Back Seat	A276-420	A276-304	A276-420
7	Bonnet Gasket	Spiral Wound (Graphite+304)		
8	Bonnet Stud	A193-B7	A193-B16	A320-L7
9	Bonnet Stud Nut	A194-2H	A194-7	A194-4
10	Packing	Graphite		
11	Gland	A276-420	A276-304	A276-420
12	Gland Flange	A216-WCB	A217-WC6	A352-LCB
13	Eyebolt Pin	Carbon Steel	A276-420	Carbon Steel
14	Eyebolt	Carbon Steel	A193-B7	Carbon Steel
15	Eyebolt Nut	Carbon Steel	A194-2H	Carbon Steel
16	Grease Fitting	Brass+Steel		
17	Yokesleeve	Aluminum-Bronze ¹⁾		
18	Yokesleeve Jam Nut	Carbon Steel		
19	Handwheel	Malleable Iron		
20	Handwheel Nut	Carbon Steel		

Note: 1).Ductile Ni-Resist optional

2).Wedge and seat ring may either be solid facing material or a base material equal to or better than the body/bonnet material with facing as shown.

300Lb Gate valves Dimensions data

NPS DN	2 50	2 1/2 65	3 80	4 100	6 150	8 200	10 250	12 300	14 350	16 400	18 450	20 500	24 600	26 650	28 700	30 750	32 800	36 900	40 1000	42 1050	48 1200	in mm
ANSI Class 300Lb																						
LL1 (RF/BW)	8.50 216	9.50 241	11.12 283	12.00 306	15.88 403	16.50 419	18.00 457	19.75 502	30.00 762	33.00 838	36.00 914	39.00 991	45.00 1143	49.00 1245	53.00 1346	55.00 1397	60.00 1524	68.00 1727	76.96 1955	80.00 2032	90.00 2286	in mm
L2 (RTJ)	9.12 232	10.12 257	11.75 298	12.62 321	16.50 419	17.12 435	18.62 473	20.38 518	30.62 778	33.62 854	36.62 930	39.75 1010	45.88 1165	50.00 1270	54.00 1372	56.00 1422	61.12 1553	69.12 1756	-	-	-	in mm
H (OPEN)	16.12 410	17.88 453	20.00 509	24.00 612	31.75 805	59.38 1000	47.62 1210	55.75 1415	62.25 1580	67.88 1725	77.12 1980	86.38 2195	102.00 2590	117.00 2975	122.00 3100	126.00 3200	130.00 3300	152.00 3860	146.18 3713	154.17 3916	177.20 4501	in mm
(d)	50	63	76	100	150	200	250	300	336	387	431	482	584	635	686	737	781	876	-	-	-	mm
D0	8 200	8 200	10 250	12 300	14 350	16 400	18 450	20 500	22 550	22 550	24 600	26 640	29 720	29 720	32 800	32 800	38 950	40 1000	28.34 720	28.34 720	28.34 720	in mm
WT (kg)	23 17	35 26	50 39	71 53	144 113	209 164	322 256	482 390	683 565	950 805	1145 965	1635 1410	2680 2305	3090 2540	3310 2725	3595 3055	3720 3360	3985 3630	8100 -	9750 -	13050 -	RF/RTJ BW
Toqure	16	18	21	42	86	128	215	289	423	537	649	1009	1451	-	-	3140	-	4239	-	-	-	mm

Keywords: gate valve

Class:Gate valves |



[About US](#) | [Sitemap](#) | [Website Link](#) | [Job WINDMILL](#) | [Downloads](#) | [Guestbook](#) | [Contact US](#) | [E-Mail](#) | [Admin](#)

Copyright 2009 WENZHOU WINDMILL VALVE CO.,LTD. Some Rights Reserved.

ADD:Oubei,Wenzhou,Zhejiang,China TEL:0086-577-67955569 FAX:0086-577-67955565 E-mailsale@dfcvalve.com