



Gate valve



Globe valve



Check valve



Ball valves

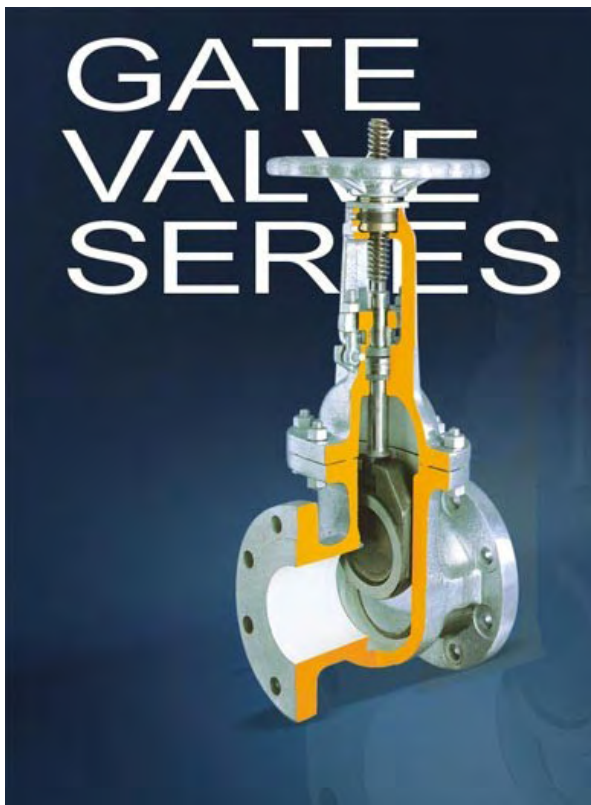
online
Communication

Contact Us

WENZHOU WINDMILL VALVE CO.,LTD.
ADD:OuBei,WenZhou,Zhejiang,China
TEL:86-577-67955569
FAX:86-577-67955565
E-Mail:sale@dfcvalve.com

900Lb cast steel Gate valve

900Lb cast steel Gate valves



Applicable standards:

- Steel gate valves, API 600 / API 6D
- Steel gate valves, ISO 10434 / ISO 14313
- Steel valves, ASME B16.34
- Face to face, ASME B16.10
- Flanges end, ASME B16.5
- Buttwelding ends, ASME B16.25
- Inspection and test, API 598 / API 6D

Design description:

- Full port design
- OI & Y, outside screw and yoke
- BB, Bolted bonnet
- Flexible wedge, fully guided
- Choice of solid or split wedge
- Renewable seat rings
- Forged T-head stem
- Rising stem and non-rising handwheel
- Flanged or buttwelding ends
- Available with bg operator

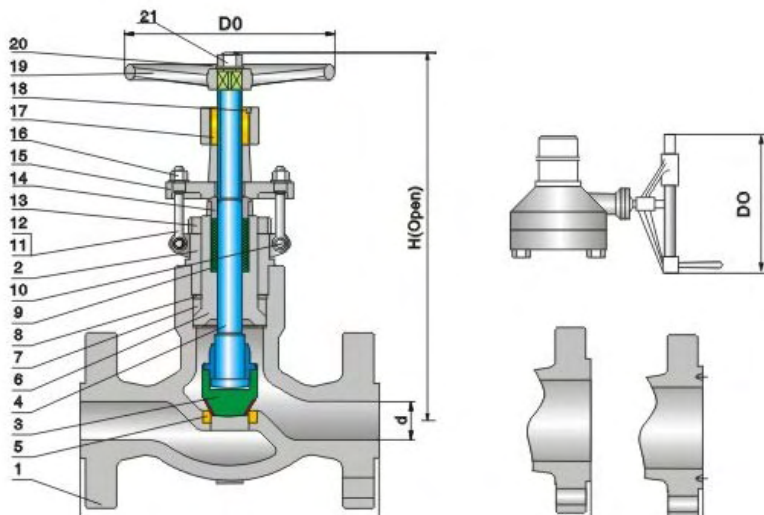
PRODUCT CATALOG

- About us
- Products
- Gate valves
- Globe valve
- Check valve
- Ball valves
- Butterfly valve
- Plug valves
- Forged valve
- Bronze Valve
- Strainer
- News

ABOUT PRODUCTS

- 1500Lb cast steel Gate valve
Steel Gate valve
- 1500Lb cast steel Gate valve
- Strainers »

NEW PRODUCT





900Lb cast steel Gate valve Materials of parts

NO	Part Name	ASTM Material		
		Carbon Steel	1 1/4Cr-1/2Mo	18Cr-9Ni-2Mo
1	Body	A216-WCB	A217-WC8	A351-CF8M
2	Yoke	A216-WCB	A217-WC8	A351-CF8M
3	Disc	A216-WCB+HF	A217-WC8+HF	A351-CF8M+HF
4	Stem	A182-F6a	CR-MO-V	A182-316
5	Seat Ring	A105+HF	A182-F11+HF	A240-316+HF
6	Bonnet	A105	A182-F11	A240-316
7	Bonnet Gasket ¹⁾		304+Graphite	
8	Adapter Ring	Carbon Steel	A276-420	A276-316
9	Packing		Graphite	
10	Eyebolt Pin	Carbon Steel	A276-420	A276-316
11	Eyebolt	Carbon Steel	A193-B7	A193-B8
12	Eyebolt Nut	Carbon Steel	A194-2H	A194-8
13	Locking Nut	Carbon Steel	Alloy Steel	Stainless Steel
14	Gland	A276-420	A276-304	A276-316
15	Gland Flange	A216-WCB	A217-WC8	A351-CF8M
16	Washer		Carbon Steel	
17	Stem Nut		Aluminum-Bronze ²⁾	
18	Bolt		Carbon Steel	
19	Handwheel		Malleable Iron	
20	Handwheel Washer		Carbon Steel	
21	Handwheel Nut		A194-2H	

Note: 1).Ductile Ni-Resist optional 900Lb cast steel Gate valve
 2).Wedge and seat ring may either be solid facing material or a base material equal to or better than the body/bonnet material with facing as shown.

900Lb cast steel Gate valve Dimensions data

NPS DN	2 50	2 1/2 65	3 80	4 100	6 150	8 200	10 250	12 300	in mm
ANSI Class 900Lb									
L1 (BW)	8.50 216	10.00 254	12.00 305	14.00 356	20.00 508	26.00 660	31.00 787	36.00 914	in mm
L (RF)	14.50 368	16.50 419	15.00 381	18.00 457	24.00 610	29.00 737	33.00 838	38.00 965	in mm
L2 (RTJ)	14.62 371	16.62 422	15.12 384	18.12 460	24.12 613	29.12 740	33.12 841	38.12 968	in mm
H (OPEN)	22 557	22 557	22 557	27 685	36.38 925	43.38 1100	50.62 1285	57 1450	in mm
D0	16 400	16 400	16 400	16 400	28 700	28 700	36 900	36 900	in mm
WT (kg)	46 75	53 82	68 95	100 135	270 355	450 680	740 1050	1150 1480	BW RF/RTJ

Keywords: gate valve

Class:Gate valves |



[About US](#) | [Sitemap](#) | [Website Link](#) | [Job WINDMILL](#) | [Downloads](#) | [Guestbook](#) | [Contact US](#) | [E-Mail](#) | [Admin](#)

Copyright 2009 WENZHOU WINDMILL VALVE CO.,LTD. Some Rights Reserved.

ADD:Oubei,Wenzhou,Zhejiang,China TEL:0086-577-67955569 FAX:0086-577-67955565 E-mailsale@dfcvalve.com