



Gate valve



Globe valve



Check valve



Ball valves

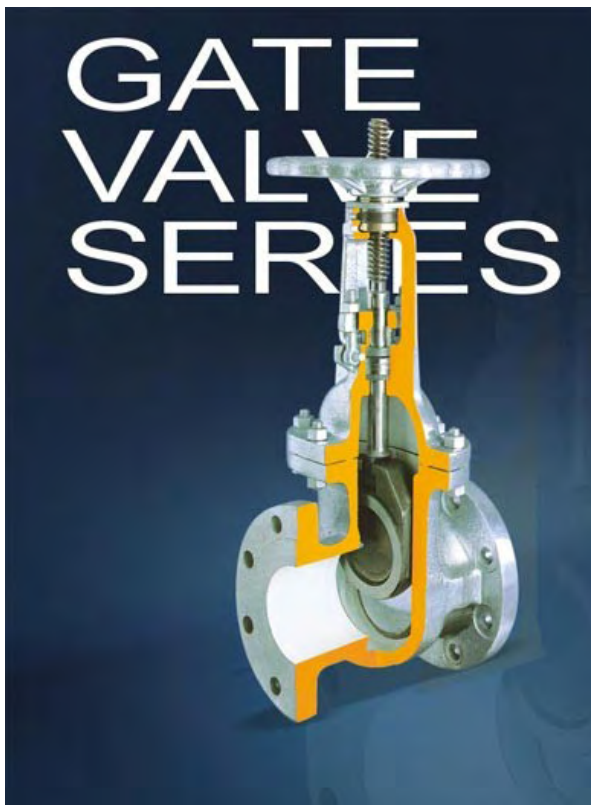
online  
Communication

Contact Us

WENZHOU WINDMILL VALVE CO.,LTD.  
ADD:OuBei,WenZhou,Zhejiang,China  
TEL:86-577-67955569  
FAX:86-577-67955565  
E-Mail:sale@dfcvalve.com

Cast Steel Gate valve

Cast Steel Gate valves



Applicable standards:

- Steel gate valves, API 600 / API 6D
- Steel gate valves, ISO 10434 / ISO 14313
- Steel valves, ASME B16.34
- Face to face, ASME B16.10
- Flanges end, ASME B16.5
- Buttwelding ends, ASME B16.25
- Inspection and test, API 598 / API 6D

Design description:

- Full port design
- OI&y,outside screw and yoke
- BB,Bolted bonnet
- Flexible wedge,fully guided
- Choice of solid or split wedge

PRODUCT CATALOG

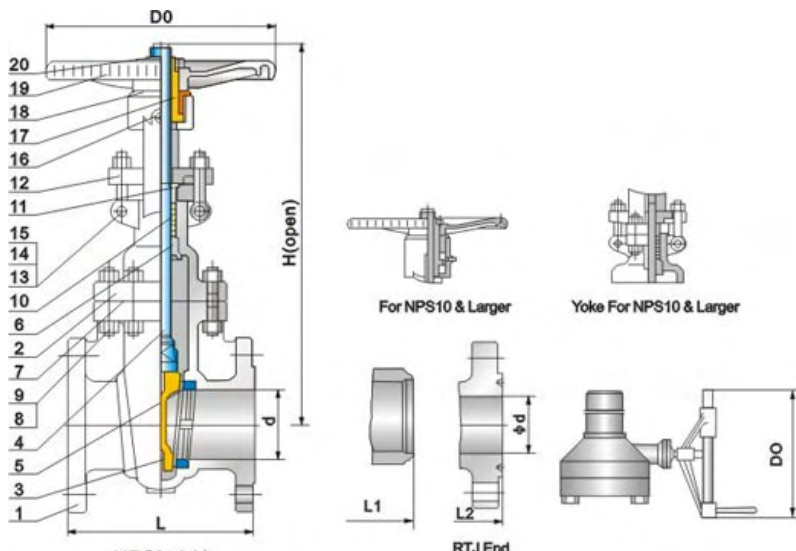
- About us
- Products
- Gate valves
- Globe valve
- Check valve
- Ball valves
- Butterfly valve
- Plug valves
- Forged valve
- Bronze Valve
- Strainer
- News

ABOUT PRODUCTS

- 150Lb Gate valve
- 300Lb Gate valve
- 600Lb Gate valve
- 900Lb Gate valve
- 1500Lb Gate valve
- 2500Lb Gate valve
- 900Lb cast steel Gate valve
- 1500Lb cast steel Gate valve
- Steel Gate valve

- CAST STEEL CHECK VALVES
- API Valves Standards »

NEW PRODUCT



## Cast steel Gate valve Parts and Material List

Parts No.	Parts Name	Materials				
		WCB/Trim1	WCB/Trim5	WCB/Trim8	CF8/304	CF8M/316
1	Body	ASTM A216 WCB			ASTM A351 CF8	ASTM A351 CF8M
2	Gasket	Soft iron+Graphite or 304+Graphite			304+Graphite	316+Graphite
3	Seat ring	A105+13Cr	A105+STL	A105+STL	ASTM A351 CF8	ASTM A351 CF8M
4	Gate	ASTM A216 WCB+13Cr	ASTM A216WCB+STL	ASTM A216 WCB+13Cr	ASTM A351 CF8	ASTM A351 CF8M
5	Stem	ASTM A182 F6a			ASTM A182 F304	AST A182 F316
6	Backseat bushing	ASTM A182 F6a			ASTM A351 CF8	ASTM A351 CF8M
7	Packing	Graphite			Graphite	Graphite
8	Gland	ASTM A182 F6a			ASTM A182 F304	ASTM A182 F316
9	Gland eyebolt	ASTM A193 B7			ASTM A193 B8	ASTM A193 B8M
10	Eyebolt nut	ASTM A194 2H			ASTM A193 8	ASTM A194 8M
11	Eyebolt pin	ASTM A36			304SS	316ss
12	Gland flange	ASTM A216 WCB			ASTM A351 CF8	ASTM A351 CF8M
13	Bonnet bolt	AST A193 B7			ASTM A193 B8	ASTM A193 B8M
14	Bonnet nut	ASTM A194 2H			ASTM A194 8	ASTM A194 8M
15	Bonnet	ASTM A216 WCB			ASTM A351 CF8	ASTM A351 CF8M
16	Nipple	Carbon steel			Carbon steel	Carbon steel
17	Stem nut	ASTM A439 D2			ASTM A439 D2	ASTM A439 D2
18	Yoke sleeve nut	Carbon steel			Carbon steel	Carbon steel
19	Hand wheel	Ductile iron			Ductile iron	Ductile iron
20	Hand wheelnut	Carbon steel			Carbon steel	Carbon steel
21	Set screw	ASTM A193 B7			ASTM A193 B7	ASTM A193 B7

NOTE: The chart above only lists out some common composition of steel check valve parts. We may provide other different parts material composition according to the customer's request or the actual valve working condition.

## Gate valve Structure dimensions

CLASS/SIZE	150 -L		300 -L		600 -L		900 -L	
	RF	BW	RF/BW	RTJ	RF/BW	RTJ	RF/BW	RTJ
2	178	216	216	232	292	295	368	371
2 1/2	191	241	241	257	330	333	419	422
3	203	283	283	298	356	359	381	384
4	229	305	305	321	432	435	457	460
5	254	381	381	397	508	511	559	562
6	267	403	403	419	559	562	610	613
8	292	419	419	435	660	664	737	740
10	330	457	457	473	787	791	838	841
12	356	502	502	518	838	841	965	968
14	381	572	762	778	889	892	1029	1038
16	406	610	838	854	991	994	1130	1140
18	432	660	914	930	1092	1095		
20	457	711	991	1010	1194	1200		
24	508	813	1143	1165	1397	1407		
26	559	864	1245	1270				
28	610	914	1346	1372				
30	610	914	1397	1422				
32	711	965	1524	1553				
34	762	1016	1626	1654				
36	711	1016	1727	1756				

Keywords: gate valve

Class:Gate valves |



[About US](#) | [Sitemap](#) | [Website Link](#) | [Job WINDMILL](#) | [Downloads](#) | [Guestbook](#) | [Contact US](#) | [E-Mail](#) | [Admin](#)

Copyright 2009 WENZHOU WINDMILL VALVE CO.,LTD. Some Rights Reserved.

ADD:Oubei,Wenzhou,Zhejiang,China TEL:0086-577-67955569 FAX:0086-577-67955565 E-mailsale@dfcvalve.com